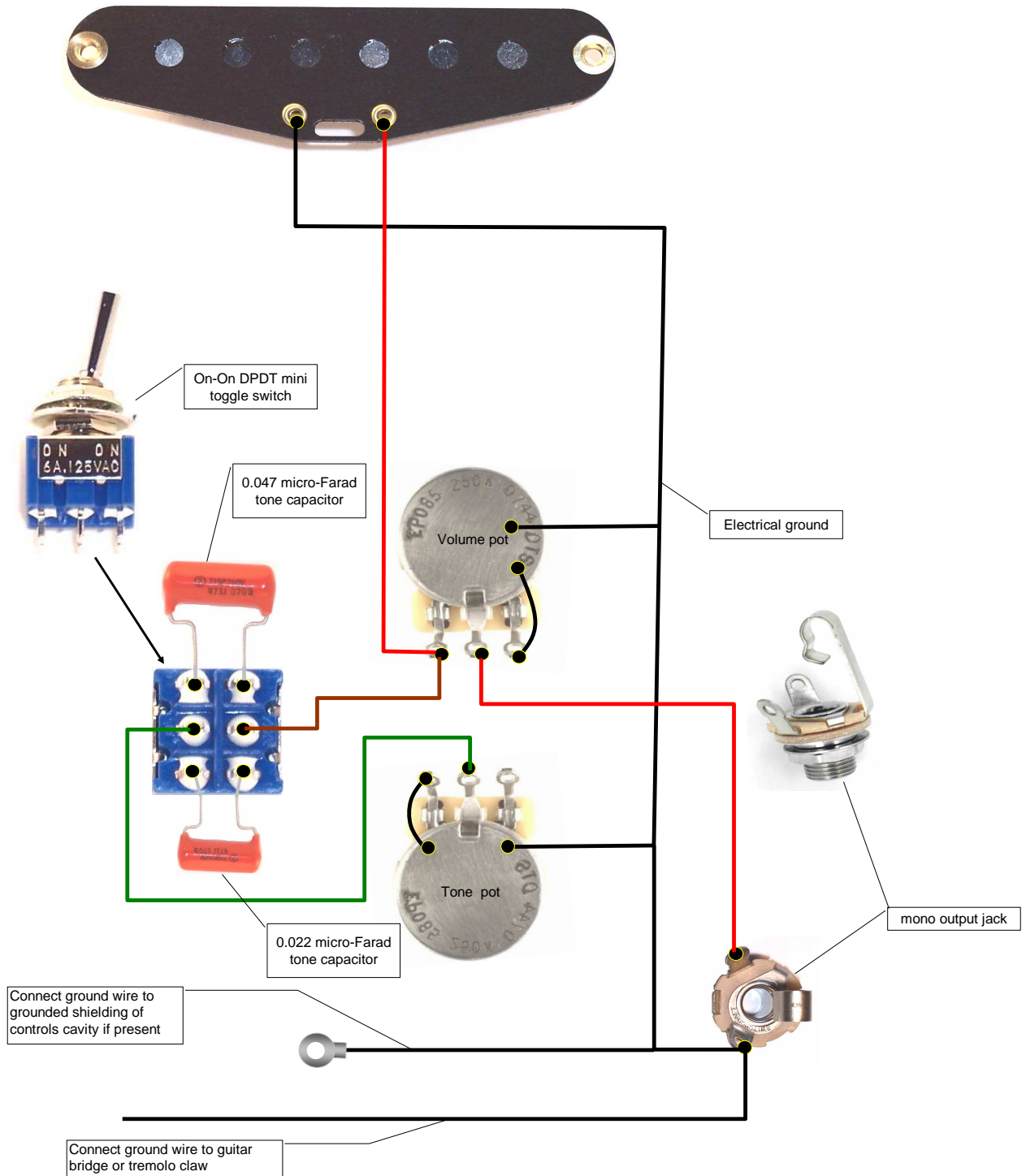


**Vintage Vibe Guitars wiring diagram; all rights reserved**

- Pickups: One single coil pickup with no grounded shielding and un-shielded output leads
- Pickup selector switch: None
- Volume controls: One volume pot
- Tone Controls: One tone pot
- Other components: One mini toggle bypass switch to switch between two tone caps
- Output: mono 1/4" jack



On the web: [www.vintagevibeguitars.com](http://www.vintagevibeguitars.com)  
 e-mail: [vintagevibeguitars@gorge.net](mailto:vintagevibeguitars@gorge.net)  
 Phone: (541) 436-2836